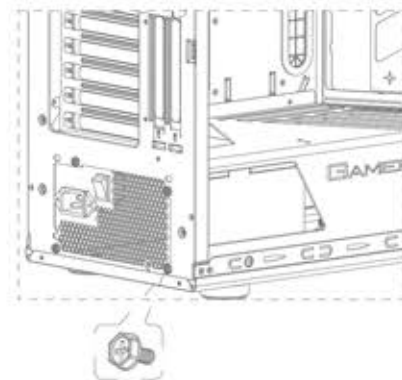


## 1. Power Supply Installation

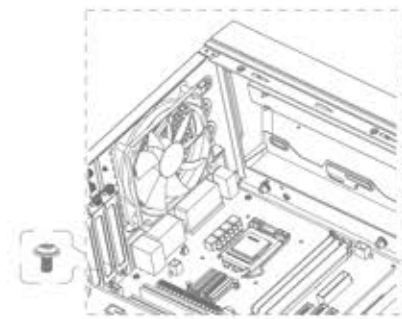
- Install PSU
- Pass the MB PSU cable through the back plate hold for further use



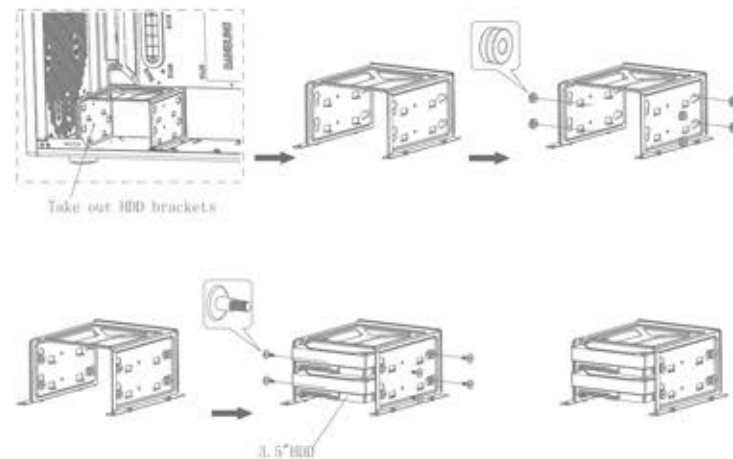
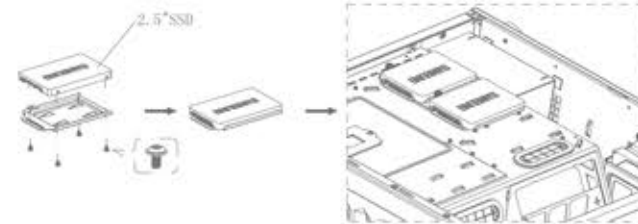
## 2. Motherboard Installation

Motherboard Compatible: ATX / MICRO-ATX / MINI-ITX

- Install MB
- Install CPU cooler

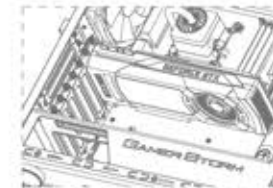


## 3. HDD Installation

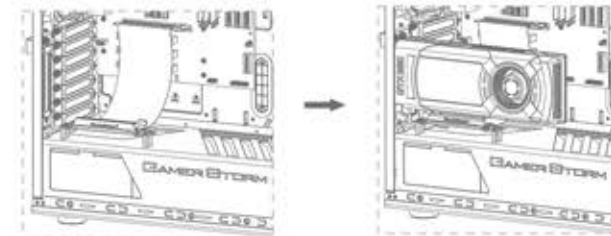


## 4. PCI card Installation

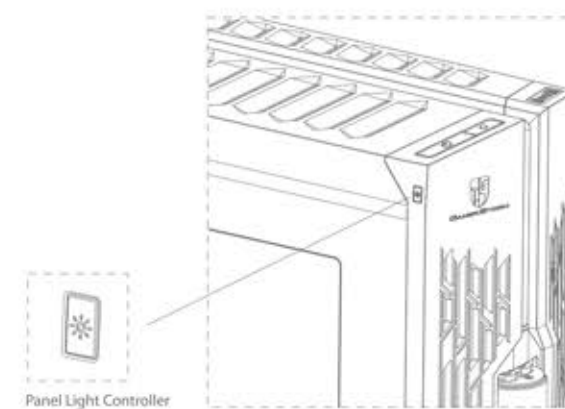
Installation Option 1:



Installation Option 2:



## 5. I/O, Outside Control



## 6. Cable Connection

	Panel Connector	High Definition Audio (Azalia)	USB 2.0 Connector	USB 3.0 Connector
Motherboard	IDELED+ — □ — PLED+ IDELED- — □ — PLED- Ground — □ — PWR Reset — □ — GND NC — □ — No Pin	MIC2_L — □ — AGND MIC2_R — □ — PRESENSE# HP_R — □ — MIC2_JD Jack_Sense — □ — No Pin HP_L — □ — HP_HD	USB+5V — □ — USB+5V USB_P- — □ — USB_P- USB_P+ — □ — USB_P+ GND — □ — GND No Pin — □ — NC	IntA_P2_D+ — □ — ID IntA_P2_D- — □ — IntA_P1_D+ IntA_P2_GND — □ — GND IntA_P2_S5TX+ — □ — IntA_P1_S5TX+ IntA_P2_GND — □ — IntA_P1_S5TX- IntA_P2_SS8X+ — □ — GND IntA_P2_SS8X- — □ — IntA_P1_SS8X+ VBUS — □ — IntA_P1_SS8X- VBUS
	POWER SW — PWR — GND RESET SW — Ground — Reset H.D.D LED — IDELED+ — IDELED- POW LED- — PLED- POW LED+ — PLED+	HD Audio Connector	USB 2.0 Connector	USB 3.0 Connector
Cable				